

AMERICAN OUTPOST

RECLAIMED WOOD FURNITURE

WWW.AMERICANOUTPOST.US

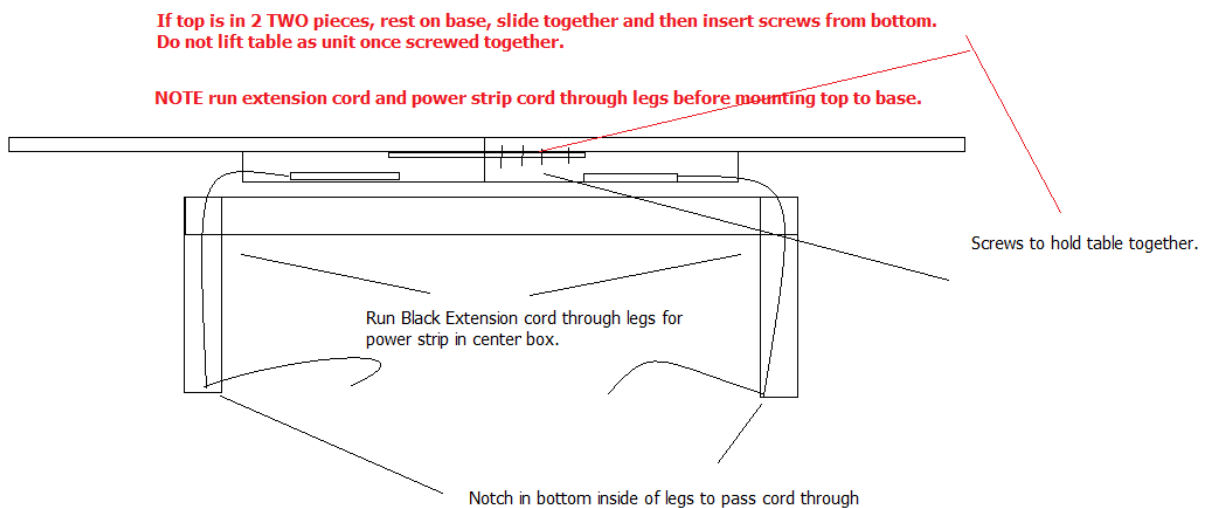


Conference Table

Metal and Wood Leg Assembly

The assembly of your new conference table is very simple.

1. Assemble frame
2. Bolt legs to frame to form the base.
3. Place base in desired position.
4. Set Table top on base. **If table is in 2 pieces slide table together and secure from bottom of table in overlap per drawing.**
5. **If your table has a built in power box run extension cables over top of leg and through leg and out bottom before mounting top.**
6. Mount table to base using provided L brackets.
 1. Locate the frame and place on floor with arrow pointing to floor.
 2. Locate legs and match numbers 1 – 4 to corresponding numbers on frame.
 3. Insert provided 3/8 bolts from the outside of the frame through the frame and leg and secure with a washer and nut on the inside of the leg.
 4. Tap bolt from outside with hammer to set the carriage bolt into the wood.
 5. Tightly secure leg to the frame using a wrench.
 6. Do this for all 4 legs securing with 3 bolts in each leg.



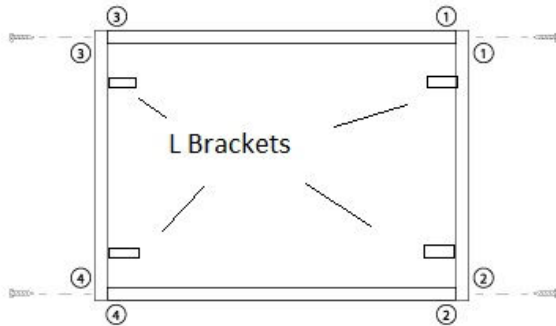
AMERICAN OUTPOST

RECLAIMED WOOD FURNITURE

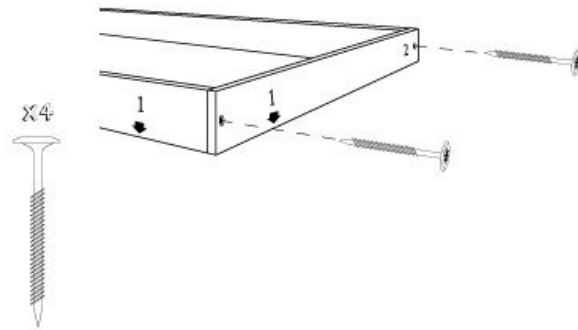
WWW.AMERICANOUTPOST.US



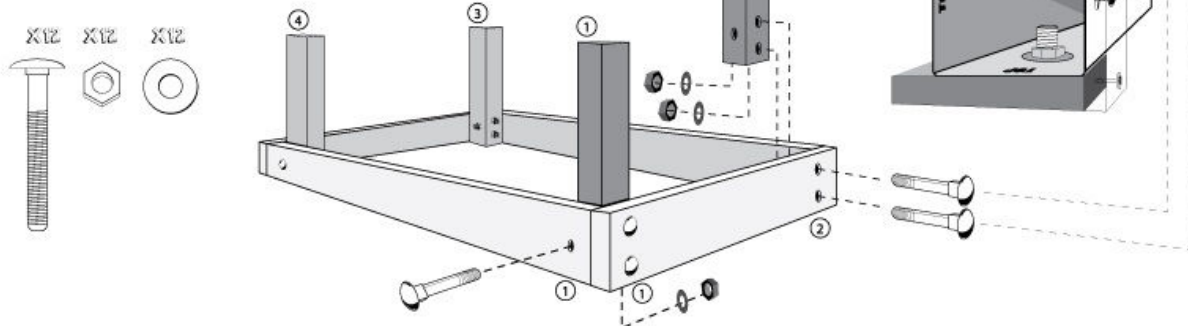
1 Lay out frame components on floor with arrows pointing down. Match numbered corners.



2 Install 4 SPAX bolts, one into each corner of frame using T30 bit, provided.



3 a) Stand top of legs into each corner of frame
 b) Install three 3/8" carriage bolts from the outside of the frame through the openings in each leg
 (tap head of carriage bolt with hammer if necessary until flush)
 c) Place 3/8" washer over each carriage bolt followed by 3/8" nut
 d) Tighten nut onto each carriage bolt using wrench



7. Once legs are secure turn base over with frame on top of the legs and place the base into position.
8. Place Table top on the base and center using lines on bottom of table top.
9. Secure top to base using the 4 L brackets and 1 5/8 screws provided. L brackets can be placed between frame and table top on each long side approx. 2" from legs.

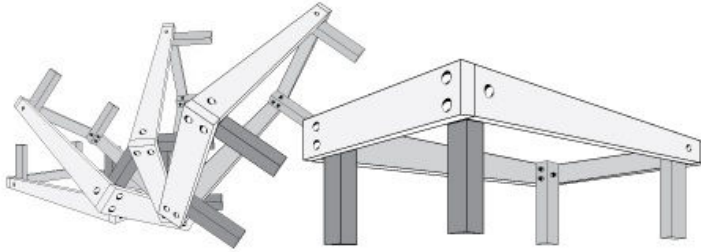
AMERICAN OUTPOST

RECLAIMED WOOD FURNITURE

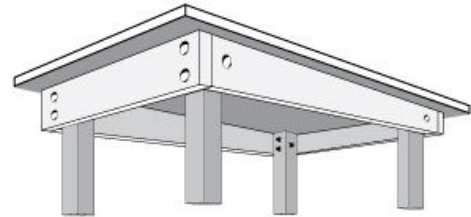
WWW.AMERICANOUTPOST.US



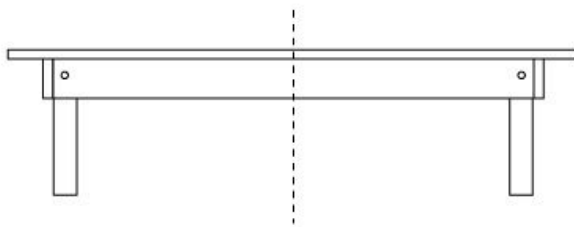
4 Turn assembled frame right-side-up



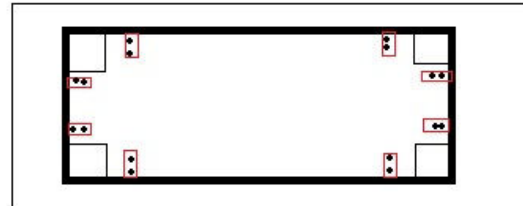
5 Place table-top onto assembled frame



6 Center table top onto base using the lines on the bottom of the table



7 secure table top to frame using the included "L" brackets



Care and Maintenance

There are no special requirements to maintain your new table. You can clean with soap and water and polish with any furniture polish.

Occasionally you may want to apply a coat of furniture wax paste available in any hardware store. Just apply per instructions on the container.